



Tracer Wire

12 AWG Copper Clad Steel, PE30

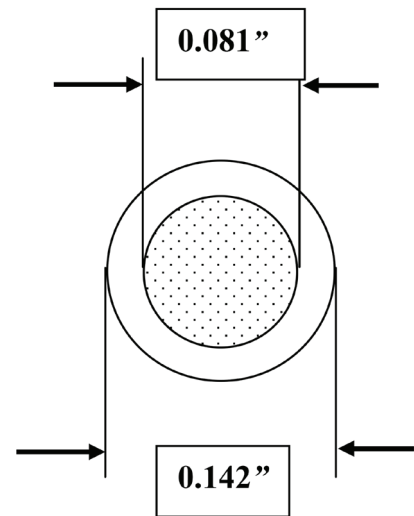
Description: Flexible Tracer Wire is a Solid Copper Clad Steel, PE Insulated Conductor, suitable for detecting buried facilities. Wire is UL Rated.

Measurements:

Conductor:	12 AWG Copper Clad Steel, Solid
Insulation:	Polyethylene 0.030" Nominal Thickness
Copper OD:	0.081" Nominal
Finished OD:	0.142" Nominal
Weight:	22.03 lbs/1000'

Properties:

Temperature:	-20°C to 80°C
Operating Voltage:	30V
Insulation Color:	Various Colors Available
Break Load:	282-299 LBS
Tensile Strength:	55,000-58,111 PSI



Print Legend:

AGAVE WIRE – 12 AWG PE(30) COPPER CLAD STEEL TRACER WIRE (UL) 30V E246360

Manufactured in the USA by:



AGAVE WIRE LTD

V0818