



Tracer Wire

18 AWG Copper Clad Steel, PE30

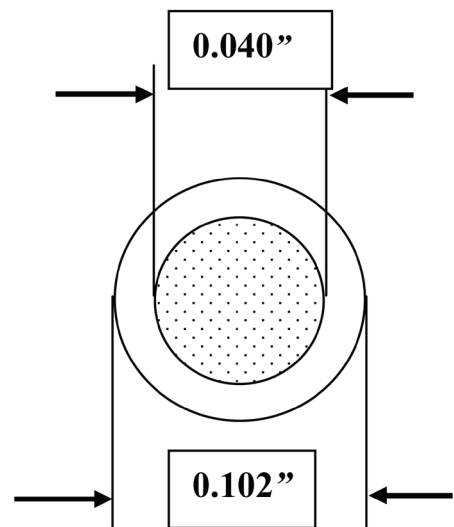
Description: Flexible Tracer Wire is a Solid Copper Clad Steel, PE Insulated Conductor, suitable for detecting buried facilities. Rated for direct bury. Wire is UL Rated.

Measurements:

Conductor: 18 AWG Copper Clad Steel, Solid
Insulation: High Molecular Weight Polyethylene
0.030" Nominal Thickness
Copper OD: 0.040" Nominal
Finished OD: 0.102" Nominal
Weight: 7.22 lbs/1000'

Properties:

Temperature: -20°C to 80°C
Operating Voltage: 30V
Insulation Color: Various Colors Available
Break Load: 60-70 LBS
Tensile Strength: 54,251-55,000 PSI



Print Legend:

AGAVE WIRE - 18AWG HMW-PE-(30) COPPER CLAD STEEL TRACER WIRE (UL) 30v E246360

Manufactured in the USA by:



AGAVE WIRE LTD

V0818