



## Underground® Coupler Fitting, 1/2" - 2" IPS

**Installation:** Must be installed in accordance with the HOME-FLEX Underground® Installation Practices and Guidelines and in accordance with local codes.

**Application Information:** Gas compression fittings for use in Natural Gas and Liquefied Petroleum (Propane) Gas applications with Polyethylene (PE) gas pipelines.

### TECHNICAL DATA

**Materials:**

Nut and Main Body	Polypropylene
O-Ring	Nitrile
Spacer	Nylon
Grip Ring	Acetal
Stiffener	Acetal

**Pressure Ratings:** Max Operating Pressure: 125 PSIG

**Temperature Ratings:**

Operating Temperature Range -20°F - 180°F

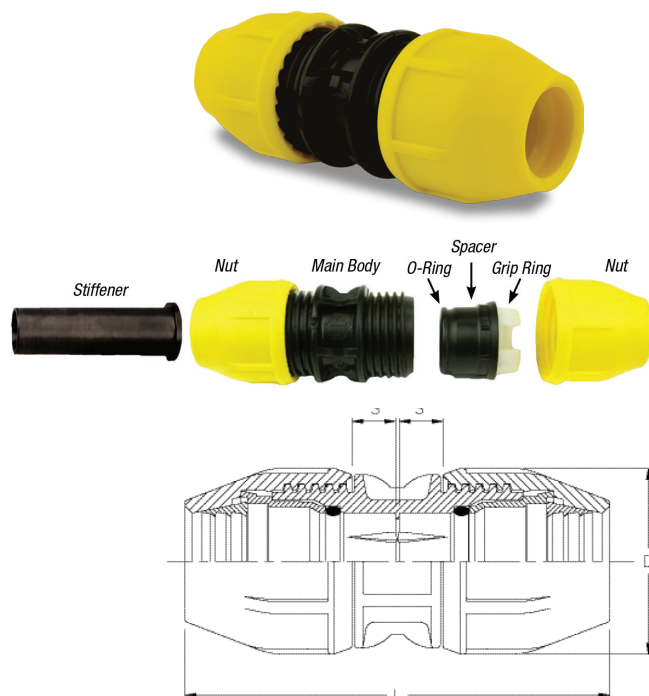
**Codes:** Universal Plumbing Code (UPC)

**Standards:** ASTM F1924-12 (Category 1 fittings)

**Listings:** IAPMO 10218



HOME-FLEX underground compression fittings are manufactured by Valencia Pipe Company and represented by EGW Water & Plumbing.



Size (IPS)	Part Number	Dimensions (in)			Weight (lbs)
		S	D	L	
1/2" (SDR 9.3)	47240	0.39	1.81	4.37	0.18
3/4" (SDR 11)	47239	0.43	2.13	4.69	0.29
1" (SDR 11)	47241	0.55	2.68	5.75	0.46
1-1/4" (SDR 10)	48127	0.71	3.23	7.17	0.93
1-1/4" (SDR 11)	48124	0.71	3.23	7.17	0.93
1-1/2" (SDR 11)	48130	0.94	3.78	8.07	1.30
2" (SDR 11)	48133	1.14	4.44	9.17	1.96