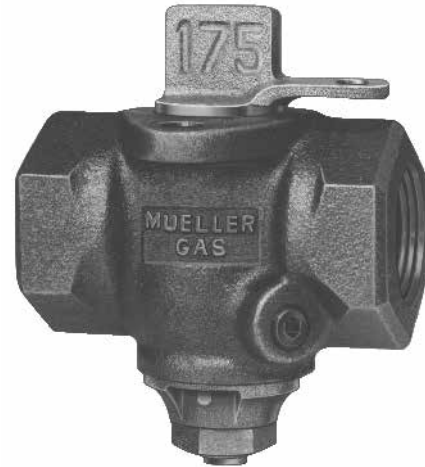


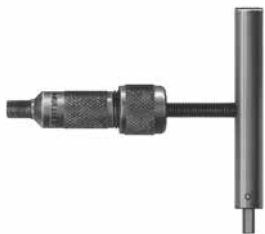
Rev. 8-17 Shaded area indicates changes

- Catalog number – **H-11175**
- Sizes* – 1/2", 3/4", 1", 1-1/4", 1-1/2", 2"
- Meets the test requirements specified in ASME B16.33
- Iron body valve
- Lockwing head
- Special lubrication system---can be re-lubricated under pressure
- O-ring sealed key
- Tamperproof feature
- Inlet and outlet with internal I.P. (F.I.P.) thread
- Available finishes: black (as cast), galvanized, electro-coat epoxy gray, electro-coat Rustoleum gray
- 175 psig (1208 kPa)
- Available with 1/8" test port feature



H-11175

Optional Equipment



H-11199

H-11199 Relubricating Tool
Used to relubricate Mueller Luboseal Meter Valves with H-853 lubricant shown below. A hex wrench is built into the tool handle for removal of valve lubricating port pipe plug. One tool fits all valve sizes.



H-853

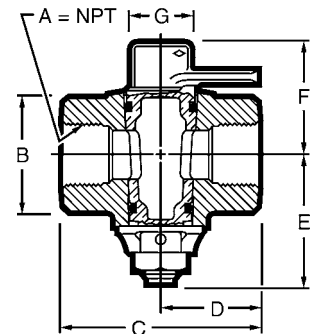
H-853 Ground Key Lubricant

Used for dry, natural or manufactured gas, air and vacuum applications. NOT recommended for petroleum solvents, mineral oils or concentrated acids or alkalis.

Box of 24 #1 sticks

H-11175 Mueller Luboseal Meter Valve Dimensions

Dimension	Valve Size**					
	1/2"	3/4"	1"	1-1/4"	1-1/2"	2"
A	1/2"-14	3/4"-14	1"-11-1/2	1-1/4"-11-1/2	1-1/2"-11-1/2	2"-11-1/2
B	1-1/2"	1-29/32"	2-15/64"	2-43/64"	3-7/64"	3-41/64"
C	2-13/16"	3-5/32"	3-13/16"	4-1/4"	4-5/8"	5-9/32"
D	1-13/32"	1-37/64"	1-29/32"	2-1/8"	2-5/16"	2-41/64"
E	1-37/64"	1-31/32"	2-5/32"	2-9/16"	2-11/16"	3-17/64"
F	1-9/32"	1-39/64"	1-57/64"	2-3/16"	2-35/64"	2-31/32"
G	3/4"	59/64"	1-11/64"	1-27/64"	1-19/32"	1-29/32"



H-11175	Box Quantity
1/2"	25
1/2"x3/4"x3/4"	15
3/4"	15
1"	15
1-1/4"	10
1-1/2"	7
2"	4

*First size is size of inlet, second is size of outlet

**Nominal