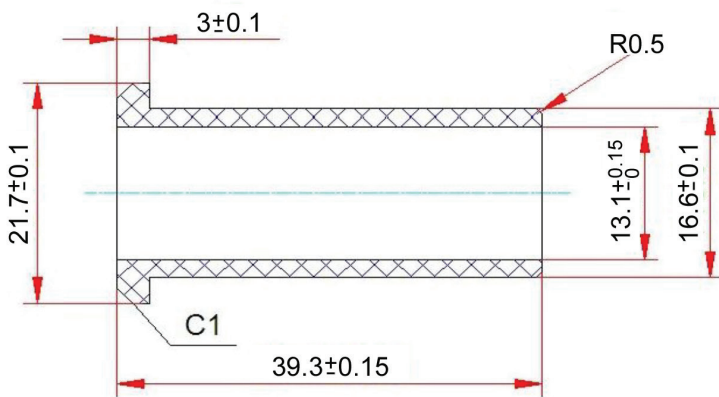


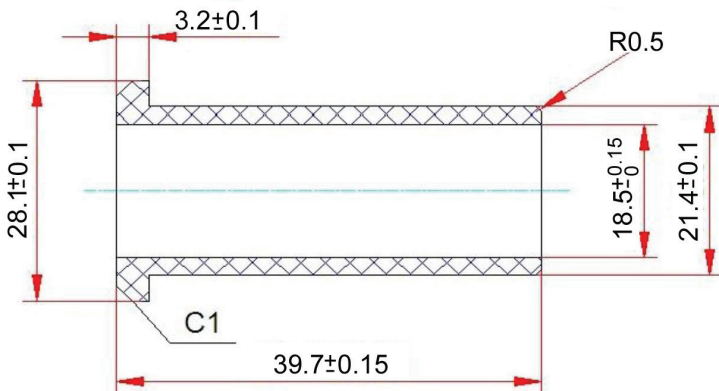


Plastic Pipe Inserts

3/4" PLASTIC STIFFENER



1" PLASTIC STIFFENER



MATERIAL: ABS



Technical Specs:

- Item: Pipe Insert
- Tube Fitting Material: PEX
- Fitting Connection Type: Tube
- Tube Size: 3/4" & 1"
- Max. Pressure: 160 psi
- Temp. Range: 200 Degrees F
- Standards: NSF Standards